

# FE Series

## Air Filter Combination (Two Combination)



We make the difference

- FRL
- JC
- FE**
- GC
- ZYR10
- MAR300LK
- AC, BC
- AFC, BFC
- AF, BF
- AR, BR
- AFR, BFR
- AL, BL
- JAC
- JAF
- JAR
- JAW
- JAL
- PTH
- JAD



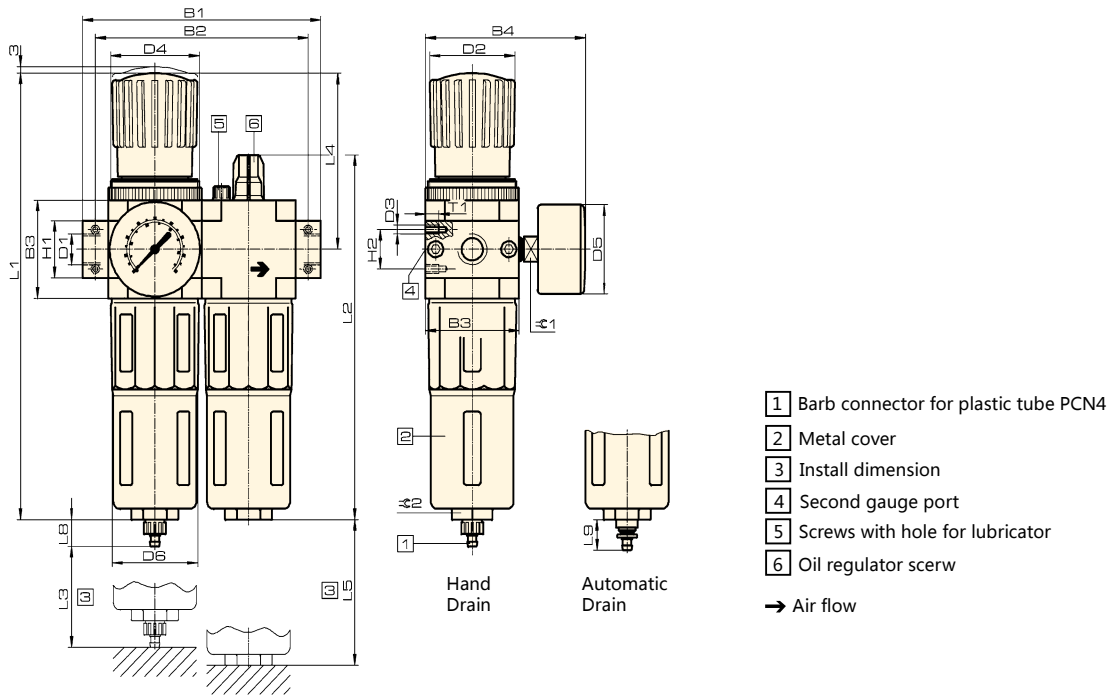
### Ordering Code

FRC	3/4	7	5M	O	MAXI	A
Standard	Port Size	Pressure Range	Filter Range	Gauge	Size	Drain Type
FRC : 2 Combination	G1/8	Blank : 0.5 ... 12 bar	Blank : 40 $\mu$ m	Blank : With Gauge	MINI : Mini	Blank : Hand
LFR : Filter regulator	G1/4	7 : 0.5 ... 7 bar	5M : 5 $\mu$ m	O : Without Gauge	MIDI : Mid	H : Semi Automatic
LR : Regulator	G3/8				MAXI : Max	A : Automatic
LF : Filter	G1/2					
LOE : Lubricator	G3/4					
	G1					

### Specification

Specification	Mini			Midi			Maxi		
	G1/8	G1/4	G3/8	G3/8	G1/2	G3/4	G3/4	G1	
Port Size	G1/8	G1/4	G3/8	G3/8	G1/2	G3/4	G3/4	G1	
Working Medium	Compressed Air								
Structure Features	Filter regulator, with/without gauge proportional Lubricater								
Install Way	By Accessories								
Install Position	Tube								
Regulator Lock	Vertical $\pm 5^\circ$								
Filter Class	Rotary handle, with lock								
Max Hysteresis	Rotary handle, with itergrated locks								
Preessure Range	5 or 40								
Preessure Display	0.2								
Water Capacity	0.5 ... 7								
Input Pressure	0.5 ... 12								
	By Gauge								
	G1/8 Preset			G1/4 Preset			G1/4 Preset		
	22			43			80		
Water	Hand	1 ... 16							
Exhaust	Semi Automatic	1.5 ... 16							
	Automatic	2 ... 12							

Overall Dimension



- FRL
- JC
- FE
- GC
- ZYR10
- MAR300LK
- AC, BC
- AFC, BFC
- AF, BF
- AR, BR
- AFR, BFR
- AL, BL
- JAC
- JAF
- JAR
- JAW
- JAL
- PTH
- JAD

Dimension

Model	B1	B2	B3	B4	D1	ΦD2	D3	D4	ΦD5	ΦD6
<b>Mini</b>										
FRC-1/8-MINI	104	92	40	76	G1/8	31	M4	M36x1.5	41	38
FRC-1/4-MINI					G1/4					
FRC-3/8-MINI					G3/8					
<b>Midi</b>										
FRC-3/8-MIDI	140	125	55	95	G3/8	50	M5	M52x1.5	50	52
FRC-1/2-MIDI					G1/2					
FRC-3/4-MIDI					G3/4					
<b>Maxi</b>										
FRC-3/4-MAXI	162	146	66	107	G3/4	31	M5	M36x1.5	50	65
FRC-1-MAXI	182	157			G1					

Model	H1	H2	L1	L2	L3	L4	L5	L8	L9	T1	∠C 1	∠C 2
<b>Mini</b>												
FRC-1/8-MINI	20	11	193	169	60	69	100	15	19	7	14	22
FRC-1/4-MINI												
FRC-3/8-MINI												
<b>Midi</b>												
FRC-3/8-MIDI	32	22	250	204	80	99	120	15	19	8	14	24
FRC-1/2-MIDI												
FRC-3/4-MIDI												
<b>Maxi</b>												
FRC-3/4-MAXI	32	22	252	228	90	82	150	15	19	8	14	24
FRC-1-MAXI	40											

# FE Series

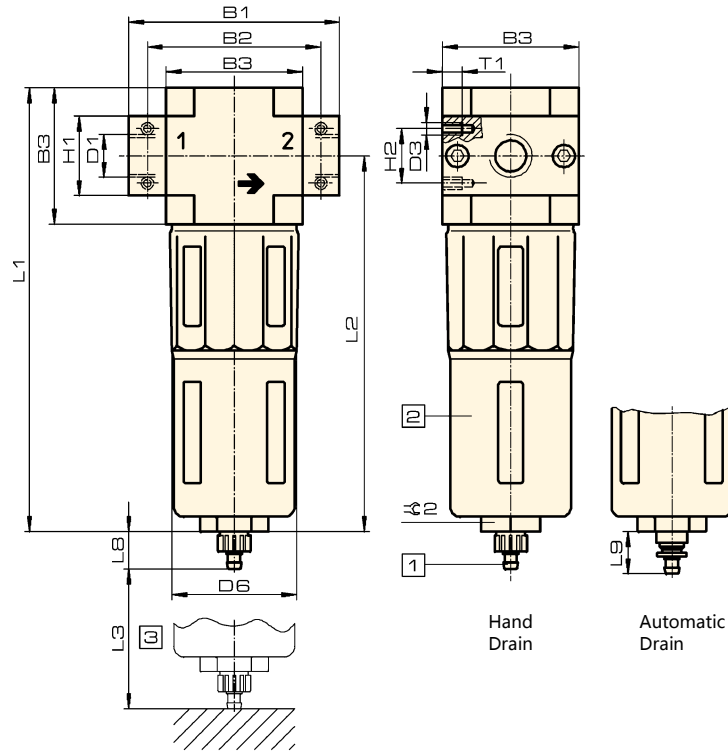
## Air Filter Combination (Two Combination)



We make the difference

- FRL
- JC
- FE
- GC
- ZYR10
- MAR300LK
- AC, BC
- AFC, BFC
- AF, BF
- AR, BR
- AFR, BFR
- AL, BL
- JAC
- JAF
- JAR
- JAW
- JAL
- PTH
- JAD

### Overall Dimension

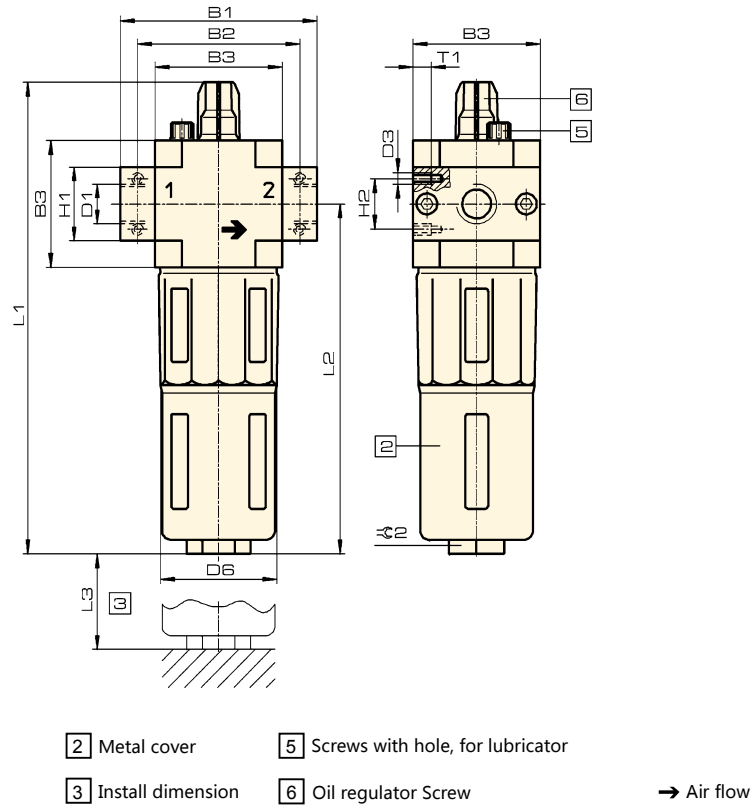


- 1 Barb connector for plastic tube PCN-4
- 2 Metal cover
- 3 Install dimension
- Air flow

### Dimension

Model	B1	B2	B3	D1	D3	ΦD6	H1	H2	L1	L2	L3	L8	L9	T1	T2	∅2
<b>Mini</b>																
LF-1/8-MINI	64	52	40	G1/8	M4	38	20	11	144	124	60	15	19	7	-	22
LF-1/4-MINI				G1/4												
LF-3/8-MINI				G3/8												
<b>Midi</b>																
LF-3/8-MIDI	85	70	55	G3/8	M5	52	32	22	179	151	80	15	19	8	-	24
LF-1/2-MIDI				G1/2												
LF-3/4-MIDI				G3/4												
<b>Maxi</b>																
LF-3/4-MAXI	96	80	66	G3/4	M5	65	32	22	203	170	90	15	19	8	-	24
LF-1-MAXI	116	91		G1			40									

**Overall Dimension**



FRL

JC

**FE**

GC

ZYR10

MAR300LK

AC, BC

AFC, BFC

AF, BF

AR, BR

AFR, BFR

AL, BL

JAC

JAF

JAR

JAW

JAL

PTH

JAD

**Dimension**

Model	B1	B2	B3	B4	B5	D1	ΦD2	D3	ΦD6	H1	H2	L1	L2	L3	T1	T2	≡C2
<b>Mini</b>																	
LOE-1/8-MINI	64	52	40	30	-	G1/8	-	M4	38	20	11	169	124	100	7	-	22
LOE-1/4-MINI						G1/4											
LOE-3/8-MINI	70					G3/8											
<b>Midi</b>																	
LOE-3/8-MIDI	85	70	55	43	-	G3/8	-	M5	52	32	22	204	151	120	8	-	24
LOE-1/2-MIDI						G1/2											
LOE-3/4-MIDI						G3/4											
<b>Maxi</b>																	
LOE-3/4-MAXI	96	80	66	46	-	G3/4	-	M5	65	32	22	228	170	150	8	-	24
LOE-1-MAXI	116	91				G1				40							