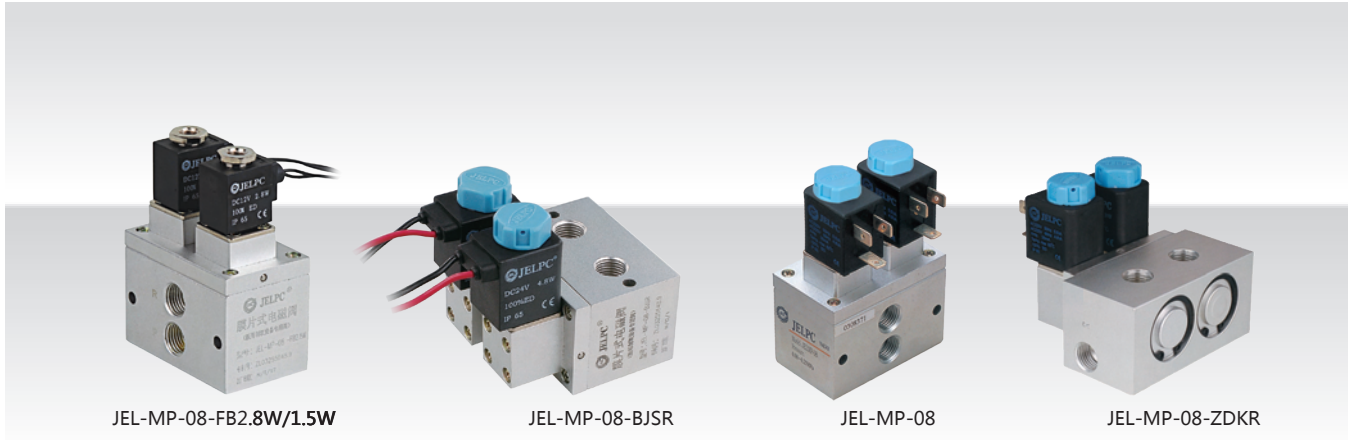


CE
ISO9001:2000

JEL Series Diaphragm Solenoid Valve



JEL-MP-08-FB2.8W/1.5W

JEL-MP-08-BJSR

JEL-MP-08

JEL-MP-08-ZDKR

New practical national patent
(Patent number: ZL03255648.9)
Awarded national new excellent product
Low pressure system valve for medical application
Special fomular silicone for longer service life.

Ordering Code

JEL	MP	08	ZDKR	DC12V
JELPC	Diaphragm	Port Size 08: G 1/4"	Fix Form Standard ZDKR BJSR FB	Standard Voltage DC12V DC24V

Specification

Model	JEL-MP-08
Valve Type	4/2 Way
Working Medium	40 Micron Filtered Air
Operation	Internal Piloted
Working-pressure	0.08 ~ 0.35 MPa
Max. Ambient Temperature	-5 ~ 80 °C
Protection Class	F Class, IP 65

Valve

4V100
4V200
4V300
4V400

Manifold

3V1
JEL
JZF
MVSD
VF, VZ
BM, PU, AM

Diaphragm

Coil
2V
2W
2W(Big)
2P
2L
VX
PU
PU225
2Q
JEL5404
JEL6213
Pulse
JEL, JZF
4H
TSV86
MPV
4HV
HV, K
4R
4F
MSV
JM
ASC, RE
QE, QEA
ST
HSV

JEL Series

Diaphragm Solenoid Valve

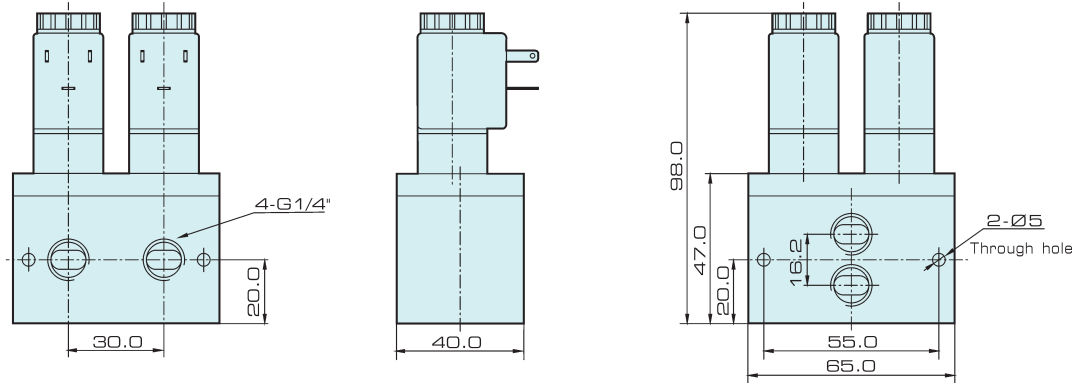


The way to automation

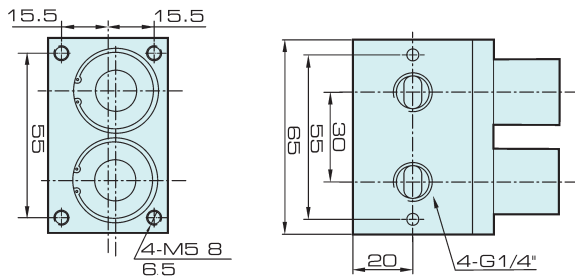
- Valve
- 4V100
- 4V200
- 4V300
- 4V400
- Manifold
- 3V1
- JEL
- JZF
- MVSD
- VF, VZ
- BM, PU, AM
- Diaphragm
- Coil
- 2V
- 2W
- 2W(Big)
- 2P
- 2L
- VX
- PU
- PU225
- 2Q
- JEL5404
- JEL6213
- Pulse
- JELJZF
- 4H
- TSV
- MPV
- 4HV
- HV, K
- 4R
- 4F
- MSV
- JM
- ASC, RE
- QE, QEA
- ST
- HSV

Overall Dimension

JEL-MP-08



JEL-MP-08-BJSR



JEL-MP-08-ZDKR

