

# JZF Series

## 3/2 Way Stop Solenoid Valve



The way to automation

- Valve
- 4V100
- 4V200
- 4V300
- 4V400
- Manifold
- 3V1
- JEL
- JZF
- MVSD
- VF, VZ
- BM, PU, AM
- Diaphragm
- Coil
- 2V
- 2W
- 2W(Big)
- 2P
- 2L
- VX
- PU
- PU225
- 2Q
- JEL5404
- JEL6213
- Pulse
- JELJZF
- 4H
- TSV
- MPV
- 4HV
- HV, K
- 4R
- 4F
- MSV
- JM
- ASC, RE
- QE, QEA
- ST
- HSV



3AJZF-15

3VJZF-25

### Ordering Code

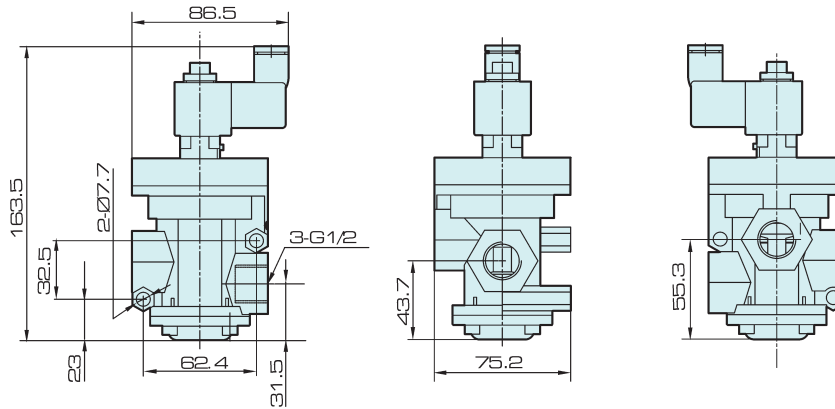
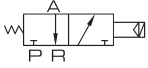
3V	JZF	15	AC110V	W
Specification	Stop Type	Port Size	Standard Voltage	Wiring
3V: 3/2 way solenoid valve 3A: 3/2 way air piloted valve	V: Solenoid valve A: Air Piloted valve	10: G 3/8" 15: G 1/2" 20: G 3/4" 25: G 1"	DC12V DC24V AC24V 50Hz/60Hz AC110V 50Hz/60Hz AC220V 50Hz/60Hz AC380V 50Hz/60Hz	Blank: Without light indicator LD: Brown with light indicator LD1: White with light indicator W: Lead wire

### Specification

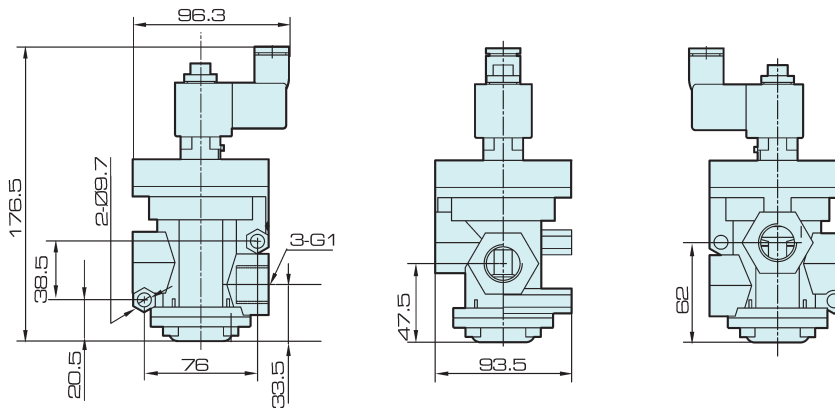
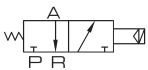
Model	3VJZF-15/10	3VJZF-25/20	3AJZF-15/10	3AJZF-25/20
Working Medium	Air			
Operation	Stop Type			
Orifice	16 mm	25 mm	16 mm	25 mm
Port Size	G 1/2", G 3/8"	G 1", G 3/4"	G 1/2", G 3/8"	G 1", G 3/4"
Working-pressure	0 ~ 1.0 MPa			
Max. Test Pressure	1.5 MPa			
Operating Voltage Tolerance	± 10%			
Material of Body	Aluminum			

### Overall Dimension

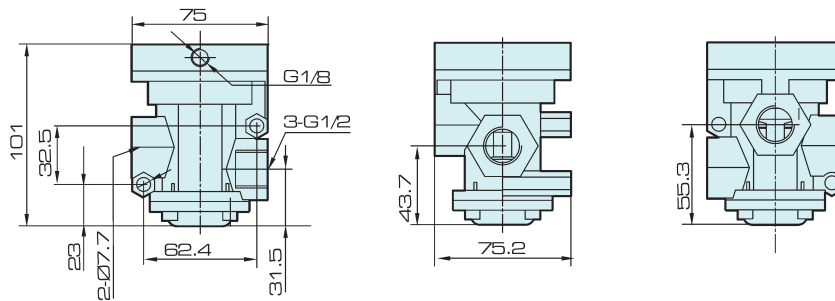
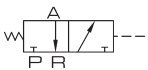
#### 3VJZF-15



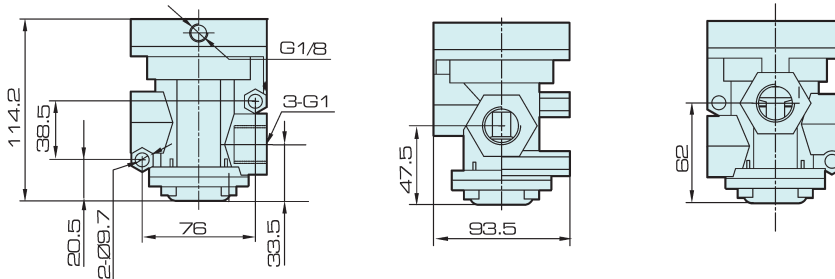
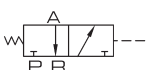
#### 3VJZF-25



#### 3AJZF-15



#### 3AJZF-25



#### Valve

4V100

4V200

4V300

4V400

Manifold

3V1

**JZF**

JZF

MVSD

VF, VZ

BM, PU, AM

Diaphragm

Coil

2V

2W

2W(Big)

2P

2L

VX

PU

PU225

2Q

JEL5404

JEL6213

Pulse

JEL, JZF

4H

TSV86

MPV

4HV

HV, K

4R

4F

MSV

JM

ASC, RE

QE, QEA

ST

HSV