

SLG series 2/2-way high pressure solenoid valve • normally closed

Solenoid Valves Numbering System for Order

Position description	1	2	3	4	5	6	7	8	9	10
	Valve Series	Mode of Operation	Coil Type	Coil Class	Voltage	Seal Material	Body Material	Pipe Size	Orifice (mm)	Options
E.G.	SLG	1	D	F	02	V	1	A	01	<input type="checkbox"/>
	SLG Series	1: Normally Closed	D=DIN Standard Connections, Fully Encapsulated S=NASS Coil M=SM Coil	F:F Class	02= AC220V AC230V 50/60HZ 13= DC=24V Contact the Company for other voltage	N=NRB V=VITON T=Teflon	1= Forged Brass 3= SS316 4= SS304	A=1/8" B=1/4" C=3/8" D=1/2" E=3/4" G=1"	01=1.0 C1=1.2 C2=1.5 02=2.0 C3=2.5 01=1.0 C1=1.2 C2=1.5 02=2.0 C3=2.5 08=8.0 08=8.0 15=15.0 20=20.0 25=25.0	L= Neon lamp N= NPT Connection

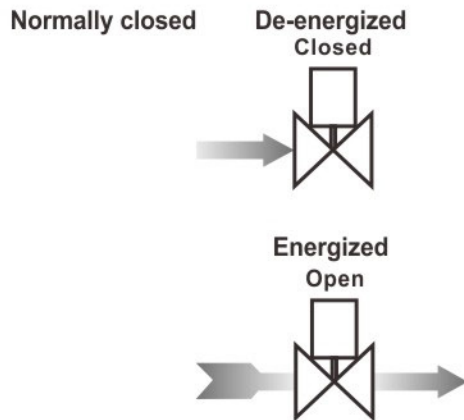
SLG Series Coils Characteristics List

Coils Model Code	Voltage	Power consumption					Orifice	
		50HZ (VA)		60HZ (VA)		DC		
		Inrush	Holding	Inrush	Holding			W
S0545 NASS	AC220V	46	24	46	19	15.5 28	φ 1~2.5mm	
D03-5101	AC220V	55	24	55	19			
S0545 NASS	DC24V							15.5
D03-5106	DC24V							28
D03-5109*	AC220V	Coil with Rectifier				35	φ 8mm	
D01-4101	AC220V	82	20	82	20		φ 15~25mm	
D03-5106	DC24V					28	φ 8~25mm	

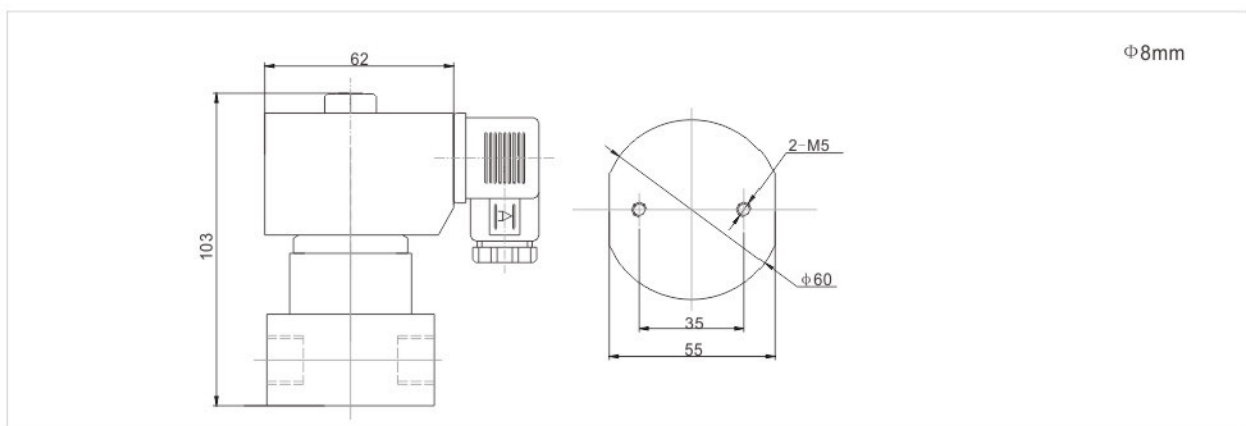
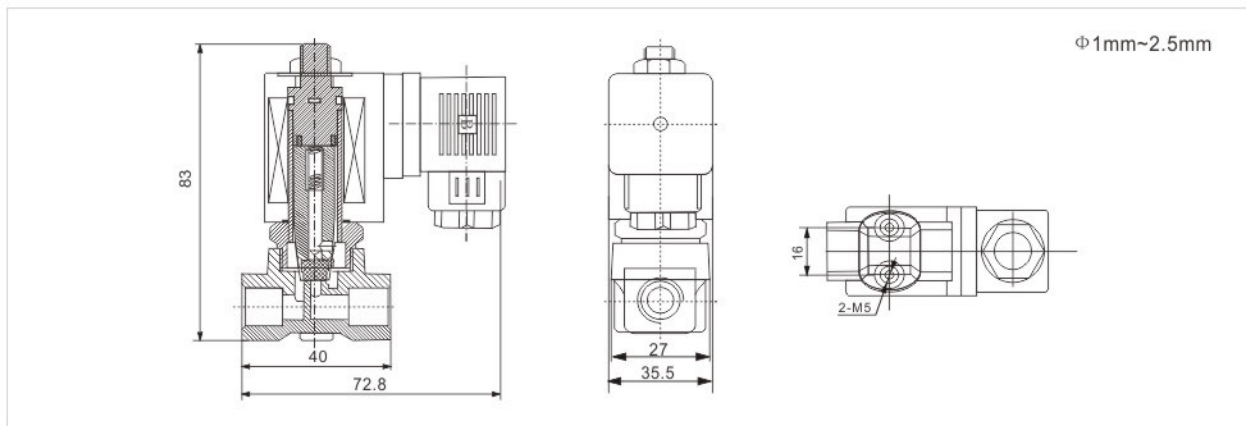
Sanlixin Solenoid Valve

SLG series 2/2-way high pressure solenoid valve · normally closed

- 1:** 2-Way normally closed solenoid valve;
Closed when de-energized, open when energized.
- 2:** Special design, Serialized products .small in size .large flow rate.widely use.
- 3:** Body material: SS304.
- 4:** Ambient Temp. 0°C~65°C; Fluids Temp: 0°C~110°C.
- 5:** Flow as the arrow .mounts in any position ;Best position is Solenoid vertical and upright direction.
- 6:** Voltage: 220VAC /230VAC/380VAC/50/60HZ 24VDC;
Voltage Tolerance: +10% to -10% applicable voltage;
Coil can fix Germany Nass Coil.



Construction, External Dimensions Chart

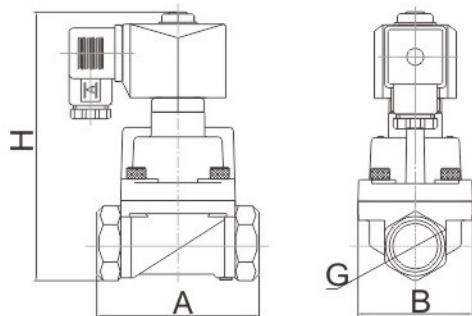


SLG series 2/2-way high pressure solenoid valve • normally closed

Valve Selection List

Pipe Conn-ection	Orifice mm	CV Factor	Operating pressure differential (kgf/cm ²)						Max. Temp. °C	Power consumption		Model Code Follows Voltage are 220VAC 50/60HZ		Weight KG	
			Min.	Max.						AC 220V	W 24V				
				Air		Water Liquids		Light oil ≤20CST							
				AC	DC	AC	DC	AC				DC	Body material:		
				Forgeda brass		Stainless Steel									
1/8 "	1.0	0.04	0	100	75	100	75	100	75	110	24	18.5	SLG1DF02V1A01	SLG1DF02V3A01	0.43
	1.2	0.05	0	90	70	90	70	90	70	110	24	18.5	SLG1DF02V1AC1	SLG1DF02V3AC1	0.43
	1.5	0.08	0	75	50	75	50	75	50	110	24	18.5	SLG1DF02V1AC2	SLG1DF02V3AC2	0.43
	2.0	0.14	0	35	30	35	30	35	30	110	24	18.5	SLG1DF02V1A02	SLG1DF02V3A02	0.43
	2.5	0.23	0	20	15	20	15	20	15	110	24	18.5	SLG1DF02V1AC3	SLG1DF02V3AC3	0.43
1/4 "	1.0	0.04	0	100	75	100	75	100	75	110	24	18.5	SLG1DF02V1B01	SLG1DF02V3B01	0.42
	1.2	0.05	0	90	70	90	70	90	70	110	24	18.5	SLG1DF02V1BC1	SLG1DF02V3BC1	0.42
	1.5	0.08	0	75	50	75	50	75	50	110	24	18.5	SLG1DF02V1BC2	SLG1DF02V3BC2	0.42
	2.0	0.14	0	35	30	35	30	35	30	110	24	18.5	SLG1DF02V1B02	SLG1DF02V3B02	0.42
	2.5	0.23	0	20	15	20	15	20	15	110	24	18.5	SLG1DF02V1BC3	SLG1DF02V3BC3	0.42
	8.0	1.0	0.5	90	70	90	70	70	50	80	35*		SLG1DF02V1B08	SLG1DF02V4B08	1.26
3/8 "	8.0	1.2	0.5	90	70	90	70	70	50	80	35*		SLG1DF02V1C08	SLG1DF02V4C08	1.24
	15	4.2	1.0	75	55	75	55	55	35	110	33	25	SLG1DF02N1C15	SLG1DF02V4C15	1.45
1/2 "	8.0	1.2	0.5	90	70	90	70	70	50	80	35*		SLG1DF02V1D08	SLG1DF02V4D08	1.21
	15	4.2	1.0	75	55	75	55	55	35	110	33	25	SLG1DF02N1D15	SLG1DF02N4D15	1.4
3/4 "	20	7	1.0	65	50	65	50	50	30	110	33	25	SLG1DF02N1E20	SLG1DF02N4E20	1.7
1 "	25	11	1.0	55	45	55	45	45	30	110	33	25	SLG1DF02N1G25	SLG1DF02N4G25	2.1

External Dimensions Chart

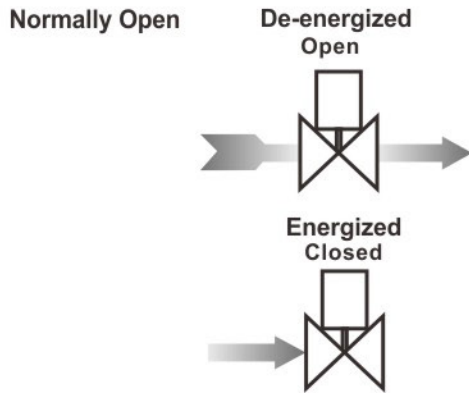


Orifice (mm)	Size	Pipe size	Length mm	Width mm	Height mm
		G	A	B	H
φ 15	3/8 "		75	52	130
	1/2 "		75	52	130
φ 20	3/4 "		85	60	141
φ 25	1 "		100	70	148

Sanlixin Solenoid Valve

SLG series 2/2-way small size high pressure solenoid valve · normally open

- 1:** 2-Way normally open solenoid valve;
open when de-energized, closed when energized.
- 2:** Special design, Serialized products .small in size .large flow rate.widely use.
- 3:** Body material: SS316
- 4:** Ambient Temp.: 0℃~65℃
- 5:** Flow as the arrow .mounts in any position ;Best position is Solenoid vertical and upright direction.
- 6:** Voltage: 220VAC /230VAC 50/60HZ
DC24V/DC12V
Voltage Tolerance: +10% to -10% applicable voltage;



Solenoid Valves Numbering System for Order

Position description	1	2	3	4	5	6	7	8	9
	Valve Series	Mode of Operation	Coil Type	Coil Class	Voltage	Seal Material	Body Material	Pipe Size	Orifice ϕ mm
E.G.	SLG	2	D	F	02	V	3	A	01
		2=Normally Open	D=DIN Standard Connections, Fully Encapsulated	F= F class	02= AC220V AC230V 13= DC=24V Contact the Company for other voltage	N=NRB E=EPDM V=VITON	3= SS316	A=1/8" B=1/4"	C0=0.8 01=1.0 C1=1.2 C2=1.5 02=2.0 C0=0.8 01=1.0 C1=1.2 C2=1.5 02=2.0



SLG series 2/2-way small size high pressure solenoid valve · normally open

Valve Selection List

Pipe Conn-ection	Orifice mm	CV Factor	Operating pressure differential (kgf/cm ²)		Max. Temp. °C	Coil Type	Coil Class	Power consumption		Model Code Follows Voltage are 220VAC 50/60HZ	Weight KG
			Min.	Max.				VA	W		
								AC 220V	DC 24V		
1/8"	0.8	0.03	0	170	120	D	F	33	20	SLG2DF02V3AC0	0.6
	1.0	0.04	0	150	120	D	F	33	20	SLG2DF02V3A01	
	1.2	0.05	0	90	120	D	F	33	20	SLG2DF02V3AC1	
	1.5	0.08	0	50	120	D	F	33	20	SLG2DF02V3AC2	
	2.0	0.14	0	30	120	D	F	33	20	SLG2DF02V3A02	
1/4"	0.8	0.03	0	170	120	D	F	33	20	SLG2DF02V3BC0	0.59
	1.0	0.04	0	150	120	D	F	33	20	SLG2DF02V3B01	
	1.2	0.05	0	90	120	D	F	33	20	SLG2DF02V3BC1	
	1.5	0.08	0	50	120	D	F	33	20	SLG2DF02V3BC2	
	2.0	0.14	0	30	120	D	F	33	20	SLG2DF02V3B02	

External Dimensions

