

3V1 Series Solenoid Valve



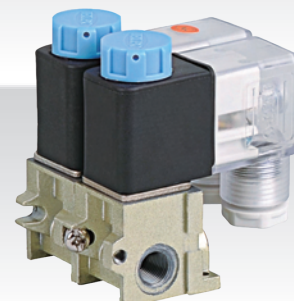
The way to automation



3V1-06-4F



3V1-06



3V1-06A-2F

- Valve
- 4V100
- 4V200
- 4V300
- 4V400
- Manifold
- 3V1**
- JEL
- JZF
- MVSD
- VF, VZ
- BM, PU, AM
- Diaphragm
- Coil
- 2V
- 2W
- 2W(Big)
- 2P
- 2L
- VX
- PU
- PU225
- 2Q
- JEL5404
- JEL6213
- Pulse
- JELJZF
- 4H
- TSV
- MPV
- 4HV
- HV, K
- 4R
- 4F
- MSV
- JM
- ASC, RE
- QE, QEA
- ST
- HSV

Ordering Code

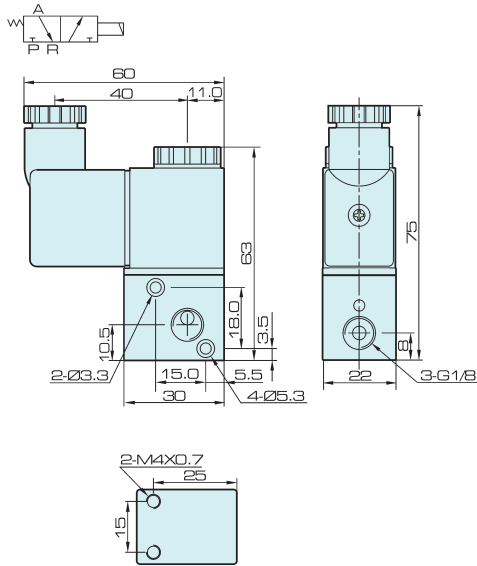
3V	1	06	B	AC220V	W	F
Specification	Series Code	Port Size	Connecting Type	Standard Voltage	Wiring	Joint
3V: 3/2 way	1: 100 Series	M5: M 5 06: 1/8"	Blank: Pipe type B: Plate type A : Diecast body	DC12V DC24V AC24V 50Hz/60Hz AC110V 50Hz/60Hz AC220V 50Hz/60Hz AC380V 50Hz/60Hz	Blank: Without light indicator LD: Brown with light indicator LD1: White with light indicator W: Lead wire	1 F-20 F

Specification

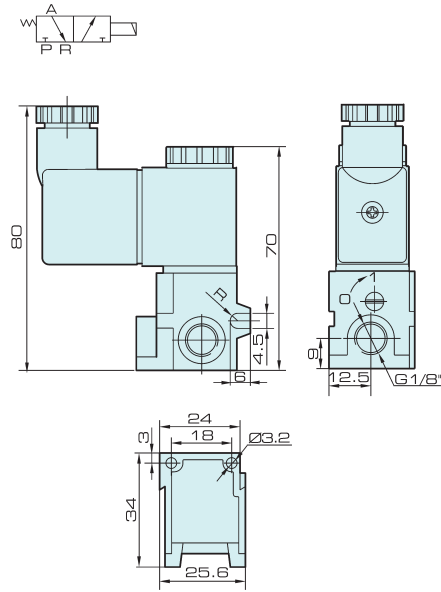
Model	3V1-M5	3V1-06(B/A)
Working Medium	40 Micron Filtered Air	
Operation	Direct	
Port Size	M5	1/8" (Without or 1/8")
Ambient Temperature	-10 ~ +60 °C	
Gas Temperature	5 ~ 60 °C	
Air Outlet Diameter	1.0 mm	
Lubrication	Not Required	
Working-pressure	0 ~ 0.8 MPa	
Max. Test Pressure	1.2 MPa	
Power Consumption	AC: 5.5 VA DC: 4.8 W	
Protect Class	IP 65	
Wiring / Connector	Cable / Lead Wire or DIN Connector	
Material of Body	Aluminum Alloy	
Switching Frequency	10 Cycles / Sec.	
Insulation	F Class	
Operating Voltage Tolerance	± 10%	
Response Time	0.05 Sec.	
Flow Aperture	Ø1 mm	

Overall Dimension

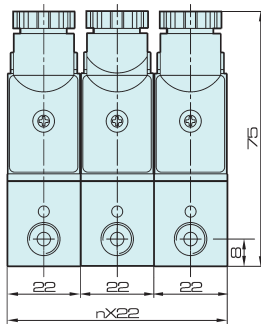
3V1-06



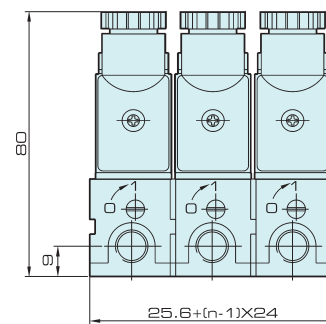
3V1-06A



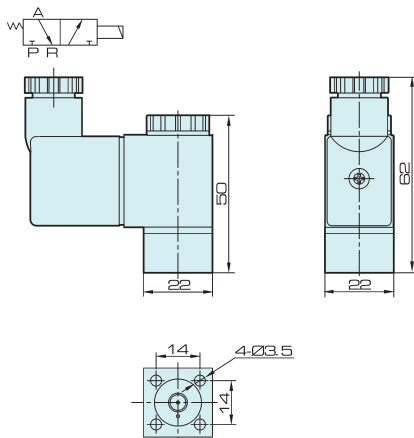
3V1-06-nF



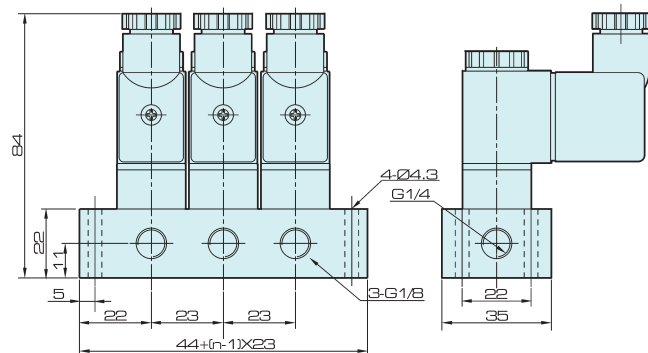
3V1-06A-nF



3V1-06B



3V1-06B-nF



Valve

4V100

4V200

4V300

4V400

Manifold

3V1

JEL

JZF

MVSD

VF, VZ

BM, PU, AM

Diaphragm

Coil

2V

2W

2W(Big)

2P

2L

VX

PU

PU225

2Q

JEL5404

JEL6213

Pulse

JEL, JZF

4H

TSV86

MPV

4HV

HV, K

4R

4F

MSV

JM

ASC, RE

QE, QEA

ST

HSV