

CE
ISO9001:2000

AFR, BFR Series Filter & Regulator



AFR2000





AFR2000

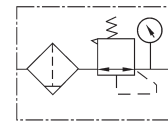


BFR(2000~4000)

Ordering Code

BFR	2000	D
Model	Port size	Drain Type
AFR: Small 	1500: G 1/8" 2000: G 1/4"	Blank: Semi-automatic D: Automatic
BFR: Medium 	3000: G 3/8" 4000: G 1/2"	

Symbol

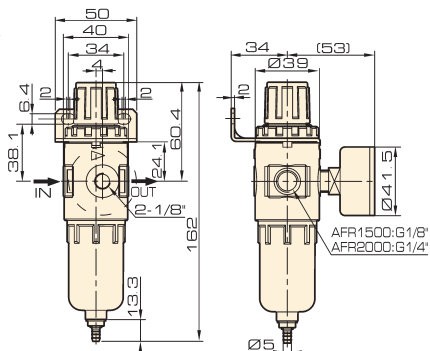


Specification

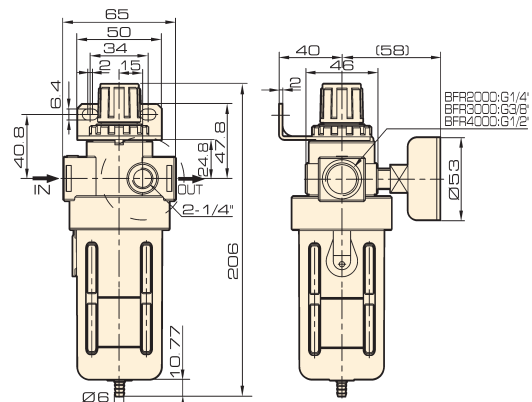
Model	AFR1500	AFR2000	BFR2000	BFR3000	BFR4000
Operating Fluid	Air				
Port Size	G 1/8"	G 1/4"	G 1/4"	G 3/8"	G 1/2"
Range of Adjustable Pressure	0.05 ~ 0.85 MPa				
Max. Adjustable Pressure	0.95 MPa				
Ensured Pressure Resistance	1.5 MPa				
Operating Temperature Range	5 ~ 60 °C				
Capacity of Filter Cup	15 cc		60 cc		
Weight	0.26 KG		0.4 KG		
Material	Body	Aluminum, Die-casting Forming			
	Container Cup	PC			
	Protective Cover	-	Iron		

Overall Dimension

AFR



BFR



FRL

- AC, BC
- AFC, BFC
- AF, BF
- AR, BR
- AFR, BFR
- AL, BL
- JAC
- JAF
- JAR
- JAW
- JAL
- PTH
- JAD