

DMF-Z Right Angle Type Electromagnetic Pulse Solenoid Valve

●The Professional Solenoid Valves Manufactory

Product Purpose

Pulse solenoid valve (also called diaphragm valve), it is the "switch". Injection control instrument by pulse output signal of the control of the the filter bag one row (room) injection out dust. Make the resistance of the filter to keep in the scope of the set inside, in order to ensure that the filter processing power and dust collecting efficiency.

DMF-Z type pulse valve as right Angle type valve, The Angle between import and export is 90°, Suitable for air bag dust and the installation of the wind spray connection. Airflow unobstructed, can to meet the requirements of the clear grey gas pulse.

Working Principle

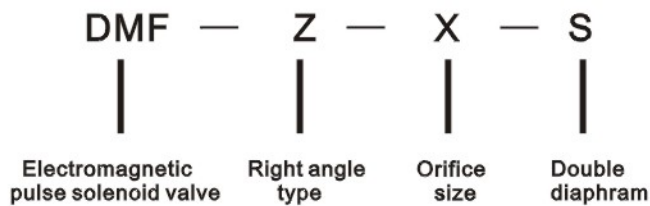
The pulse valve diaphragm is divided into two, gas chamber (Front & back), when switching compressed air, Compressed air through the throttle orifice into the gas chamber after at this time of the gas chamber pressure will diaphragm components.

Close to the valve outlets, pulse valve is in "closed" status. Pulse injection control instrument signal that the pulse valve bit back, after the gas Room put stomatal open, and the gas chamber pressure loss after quickly, diaphragm components moved, the compressed air. A valve lose export injection, pulse valve in the "open" status. Pulse injection control instrument signal disappears, solenoid pulse valve bit reset, gas after.

Room put stomatal closure, the gas chamber pressure after increase is clingy valve diaphragm components of outlets, solenoid pulse valve and in "closed" status.



Model Implication



Valve Selection List

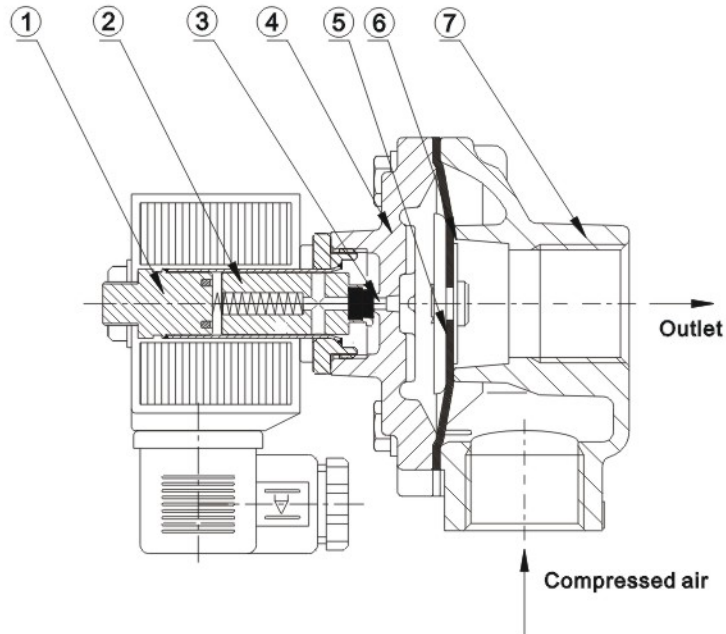
Cale	Model	Orifice size		Number Of Seal	Inlet Pipe Size	Outlet Pipe Size	Weight KG
		Metric	Inch				
1	DMF-Z-20	φ20	3/4"	1	G3/4 "	G3/4 "	0.75
2	DMF-Z-25	φ25	1"	1	G1 "	G1 "	0.7
3	DMF-Z-40S	φ40	1 1/2"	2	G1 1/2 "	G1 1/2 "	1.3
4	DMF-Z-50S	φ50	2"	2	G2 "	G2 "	2.65
5	DMF-Z-62S	φ62	2 1/2"	2	G2 1/2 "	G2 1/2 "	2.3

DMF-Z Right Angle Type Electromagnetic Pulse Solenoid Valve

●The Professional Solenoid Valves Manufactory

Construction external dimensions chart

- 1. Stationary Core
- 2. Plunger
- 3. Air bleed hole
- 4. Bonnet
- 5. Diaphragm
- 6. Main valve port
- 7. Valve body



Technical parametes

Working pressure : 0.2MPa ~ 0.8MPa
 Working : Clean air
 Voltage : AC220V/230V/240V/110V/24V 50/60HZ 33VA DC24V/12V 30W
 Nass Coil : AC220V/230V/240V 50/60HZ ; DC24V
 Ambient temperature : 0°C ~ 65°C
 The lifetime : 1000000 or 3 years

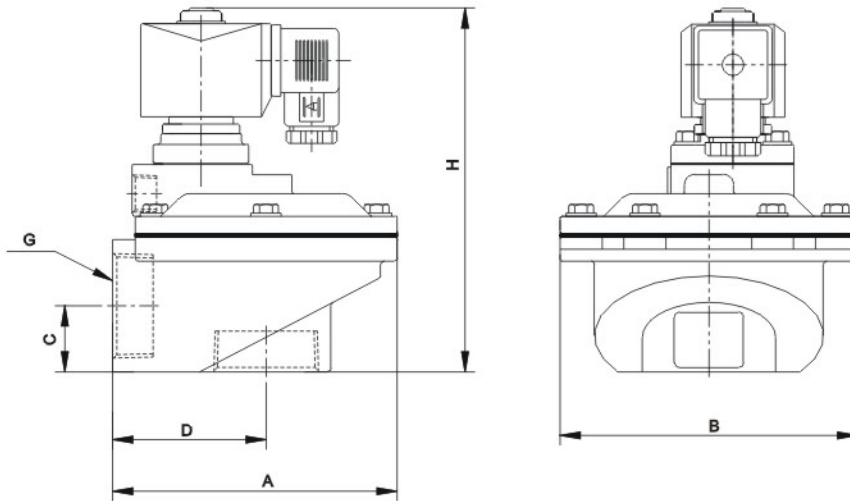
Material

Valve body : ADC12 Aluminum alloy
 Pilot Components:IJ117
 Diaphragm : NBR
 Spring : SS302
 Fastener : SS304

DMF-Z Right Angle Type Electromagnetic Pulse Solenoid Valve

●The Professional Solenoid Valves Manufactory

Structure Size



Model	A	B	C	D	G	H
DMF-Z-20	110	75	22	52	G3/4	120
DMF-Z-25	110	75	22	52	G1"	120
DMF-Z-40S	131	136.5	30.5	70.5	1 1/2"	159.5
DMF-Z-50S	168	168	56	95	2"	220
DMF-Z-62S	168	168	56	95	2 1/2"	220

Installation method

Solenoid pulse valve input(IN) and air bag is connected to the metal the antput termind filter in connection with spray wind connection between thread fill in seal materialc teflon or seal pustes it's good to tighten the seal.

