

Sanlixin Solenoid Valve

SLG 2/2-Way High Pressure Series Solenoid Valve • Normally Closed

● The Professional Solenoid Valves Manufactory

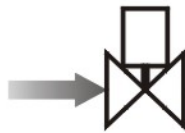
- 1:** 2-Way normally closed solenoid valve;
Closed when de-energized, open when energized.
- 2:** Special design, Serialized products .small in size .large flow rate.widely use.
- 3:** Body material: SS304.
- 4:** Ambient Temp. 0°C~65°C; Fluids Temp: 0°C~110°C.
- 5:** Flow as the arrow .mounts in any position ;Best position is Solenoid vertical and upright dirction.
- 6:** Voltage: 220VAC /230VAC/380VAC/50/60HZ 24VDC;
Voltage Tolerance: +10% to -10% applicable voltage;
Coil can fix Germany Nass Coil.



Normally closed

De-energized

Closed

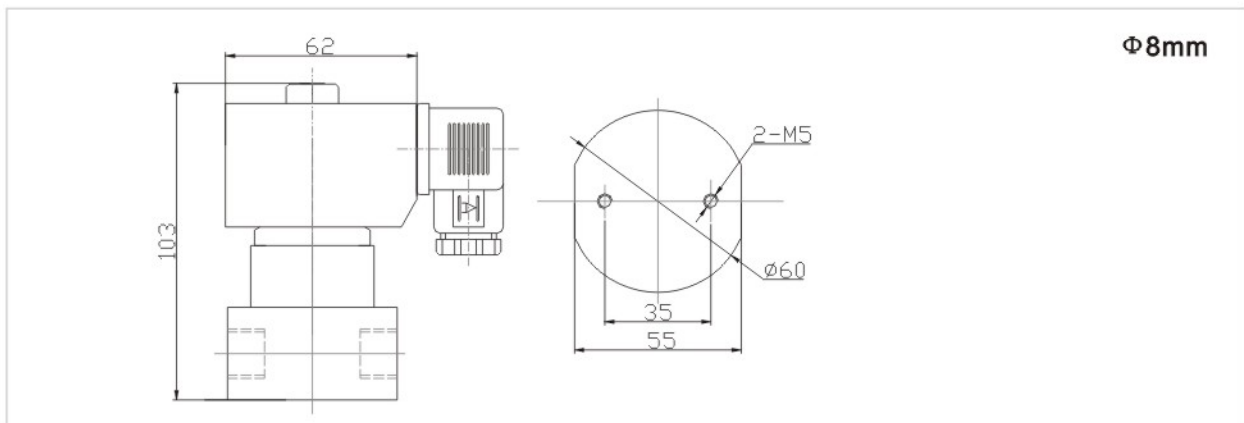
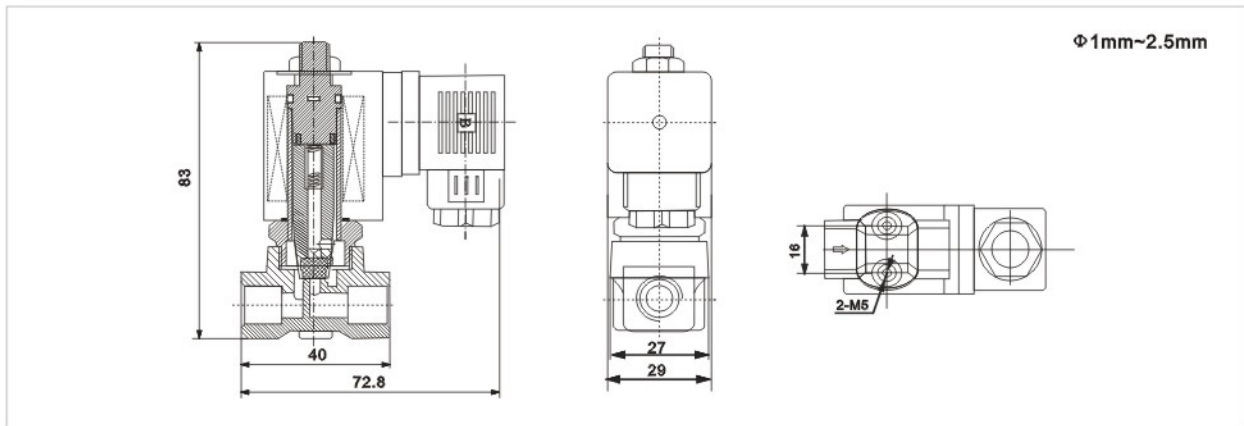


Energized

Open



Construction, External Dimensions Chart



SLG 2/2-Way High Pressure Series Solenoid Valve • Normally Closed

● The Professional Solenoid Valves Manufactory

Valve Selection List

Pipe Conn- ection	Orifice mm	CV Factor	Operating pressure differential (kgf/cm ²)								Max. Temp. °C	Power consumption		Model Code Follows Voltage are 220VAC 50/60HZ		Weight KG
			Min.	Max.						AC 220V		DC 24V				
				Air		Water Liquids		Light oil ≤20CST								
				AC	DC	AC	DC	AC	DC							
1/8"	1.0	0.04	0	100	75	100	75	100	75	110	24	18.5	SLG1DF02V1A01	SLG1DF02V3A01	0.43	
	1.2	0.05	0	90	70	90	70	90	70	110	24	18.5	SLG1DF02V1AC1	SLG1DF02V3AC1	0.43	
	1.5	0.08	0	75	50	75	50	75	50	110	24	18.5	SLG1DF02V1AC2	SLG1DF02V3AC2	0.43	
	2.0	0.14	0	35	30	35	30	35	30	110	24	18.5	SLG1DF02V1A02	SLG1DF02V3A02	0.43	
	2.5	0.23	0	20	15	20	15	20	15	110	24	18.5	SLG1DF02V1AC3	SLG1DF02V3AC3	0.43	
1/4"	1.0	0.04	0	100	75	100	75	100	75	110	24	18.5	SLG1DF02V1B01	SLG1DF02V3B01	0.42	
	1.2	0.05	0	90	70	90	70	90	70	110	24	18.5	SLG1DF02V1BC1	SLG1DF02V3BC1	0.42	
	1.5	0.08	0	75	50	75	50	75	50	110	24	18.5	SLG1DF02V1BC2	SLG1DF02V3BC2	0.42	
	2.0	0.14	0	35	30	35	30	35	30	110	24	18.5	SLG1DF02V1B02	SLG1DF02V3B02	0.42	
	2.5	0.23	0	20	15	20	15	20	15	110	24	18.5	SLG1DF02V1BC3	SLG1DF02V3BC3	0.42	
	8.0	1.0	0.5	90	70	90	70	70	50	80	35*		SLG1DF02V1B08	SLG1DF02T4B08	1.26	
3/8"	8.0	1.2	0.5	90	70	90	70	70	50	80	35*		SLG1DF02V1C08	SLG1DF02T4C08	1.24	
	15	4.2	1.0	75	55	75	55	55	35	110	33	32	SLG1DF02N1C15	SLG1DF02T4C15	1.45	
1/2"	8.0	1.2	0.5	90	70	90	70	70	50	80	35*		SLG1DF02V1D08	SLG1DF02T4D08	1.21	
	15	4.2	1.0	75	55	75	55	55	35	110	33	32	SLG1DF02N1D15	SLG1DF02T4D15	1.4	
3/4"	20	7	1.0	65	50	65	50	50	30	110	33	32	SLG1DF02N1E20	SLG1DF02T4E20	1.7	
1"	25	11	1.0	55	45	55	45	45	30	110	33	32	SLG1DF02N1G25	SLG1DF02T4G25	2.1	

External Dimensions Chart

