

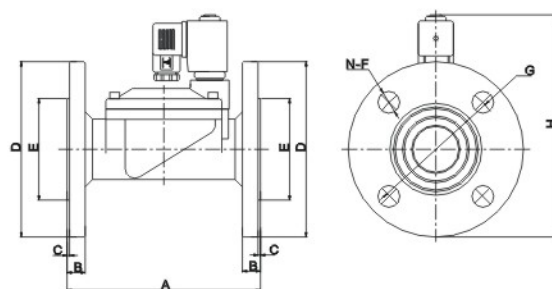
# SLP 2/2-Way Large diameter Pilot Operated Solenoid Valve · Normally Closed

● The Professional Solenoid Valves Manufactory

## Valve Selection List (Flange Connection)

Orifice mm	CV Factor	Operating pressure differential ( kgf/cm <sup>2</sup> )								Max. Fluids Temp.	Coil F class Type	Power consumption		Weight KG	Model Code Follows Voltage are 220VAC 50/60HZ
		Min.	Max.						VA AC 220 V			W DC 24 V			
			Air Gas		Water Hot water Liquids		Light oil								
			AC	DC	AC	DC	AC	DC							
25	12	0.5	16	16	16	16	13	13	80	D	22	13	2.7	SLP1DF02N3F25	
25	12	0.5	16	16	16	16			120	D	22	13	2.7	SLP1DF02E3F25	
25	12	0.5	16	16	16	16	13	13	120	D	22	13	2.7	SLP1DF02V3F25	
35	22	0.5	16	16	16	16	13	13	80	D	22	13	5	SLP1DF02N3F35	
35	22	0.5	16	16	16	16			120	D	22	13	5	SLP1DF02E3F35	
35	22	0.5	16	16	16	16	13	13	120	D	22	13	5	SLP1DF02V3F35	
40	30	0.5	16	16	16	16	13	13	80	D	22	13	5.3	SLP1DF02N3F40	
40	30	0.5	16	16	16	16			120	D	22	13	5.3	SLP1DF02E3F40	
40	30	0.5	16	16	16	16	13	13	120	D	22	13	5.3	SLP1DF02V3F40	
50	48	0.5	16	16	16	16	13	13	80	D	22	13	7.9	SLP1DF02N3F50	
50	48	0.5	16	16	16	16			120	D	22	13	7.9	SLP1DF02E3F50	
50	48	0.5	16	16	16	16	13	13	120	D	22	13	7.9	SLP1DF02V3F50	
65	52	0.5	12	10	12	10	8	6	80	D	33	20	13.5	SLP1DF02N3F65	
65	52	0.5	12	10	12	10			120	D	33	20	13.5	SLP1DF02E3F65	
65	52	0.5	12	10	12	10	8	6	120	D	33	20	13.5	SLP1DF02V3F65	
80	80	0.5	12	10	12	10	8	6	80	D	33	20	15.6	SLP1DF02N3F80	
80	80	0.5	12	10	12	10			120	D	33	20	15.6	SLP1DF02E3F80	
80	80	0.5	12	10	12	10	8	6	120	D	33	20	15.6	SLP1DF02V3F80	
100	128	0.5	12	10	12	10	8	6	80	D	33	20	22	SLP1DF02N3F100	
100	128	0.5	12	10	12	10			120	D	33	20	22	SLP1DF02E3F100	
100	128	0.5	12	10	12	10	8	6	120	D	33	20	22	SLP1DF02V3F100	

## Construction, External Dimensions Chart



	A	B	C	ΦD	ΦE	N-ΦF	ΦG	H
DN25	134	13	2	110	58	4-14	85	160
DN32	160	15	2	135	74	4-18	100	175
DN40	160	15	2	145	84	4-18	110	180
DN50	200	16	2	160	88	4-18	125	207
DN65	250	19	3	185	118	4-18	145	250
DN80	270	19	3	202	134	4-18	160	262
DN100	342	21	3	222	162	8-18	180	287

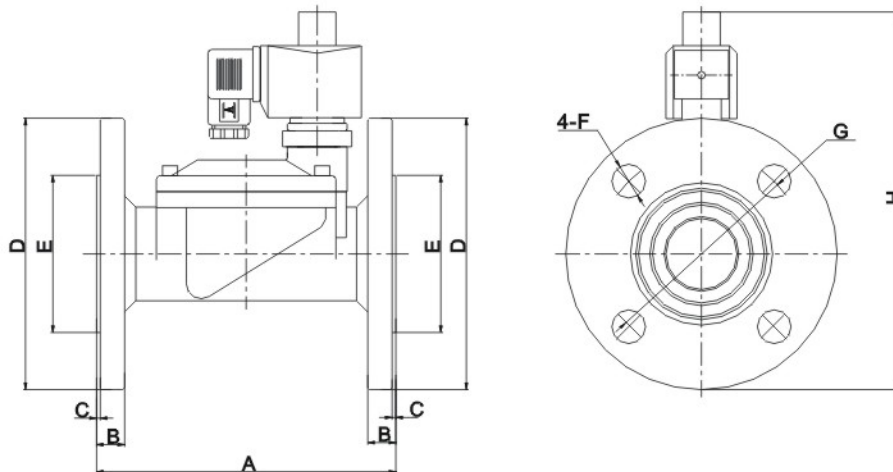
## SLP 2/2-Way Large diameter Pilot Operated Solenoid Valve • Normally Open

●The Professional Solenoid Valves Manufactory

### Valve Selection List (Flange connection)

Orifice mm	CV Factor	Operating pressure differential ( kgf/cm <sup>2</sup> )								Max. Fluids Temp.	Coil F Lass Type	Power consumption		Weight KG	Model Code Follows Voltage are 220VAC 50/60HZ
		Min.	Max.						VA AC 220 V			W DC 24 V			
			Air Gas		Water Hot water Liquids		Light oil								
			AC	DC	AC	DC	AC	DC							
25	12	0.5	13	13	13	13	8	8	80	D	33	20	2.9	SLP2DF02N3F25	
25	12	0.5	13	13	13	13			120	D	33	20	2.9	SLP2DF02E3F25	
25	12	0.5	13	13	13	13	8	8	120	D	33	20	2.9	SLP2DF02V3F25	
35	22	0.5	8	8	8	8	8	8	80	D	33	20	5.2	SLP2DF02N3F35	
35	22	0.5	8	8	8	8			120	D	33	20	5.2	SLP2DF02E3F35	
35	22	0.5	8	8	8	8	8	8	120	D	33	20	5.2	SLP2DF02V3F35	
40	30	0.5	8	8	8	8	8	8	80	D	33	20	5.5	SLP2DF02N3F40	
40	30	0.5	8	8	8	8			120	D	33	20	5.5	SLP2DF02E3F40	
40	30	0.5	8	8	8	8	8	8	120	D	33	20	5.5	SLP2DF02V3F40	
50	48	0.5	8	8	8	8	8	8	80	D	33	20	8.1	SLP2DF02N3F50	
50	48	0.5	8	8	8	8			120	D	33	20	8.1	SLP2DF02E3F50	
50	48	0.5	8	8	8	8	8	8	120	D	33	20	8.1	SLP2DF02V3F50	

### Construction, External Dimensions Chart



	A	B	C	ΦD	ΦE	ΦF	ΦG	H
SLP-25BH	134	13	2	110	58	4-14	85	172
SLP-32BH	160	15	2	135	74	4-18	100	187
SLP-40BH	160	15	2	145	84	4-18	110	192
SLP-50BH	200	16	2	160	88	4-18	125	219