

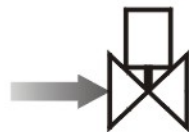
ZCT 2/2-Way Series Solenoid Valve · Normally Closed

● The Professional Solenoid Valves Manufacturer

- 1:** 2-Way normally closed solenoid valve; Closed when de-energized, open when energized.
- 2:** Body material: stainless steel and Plexiglas (standard), brass (special made)
- 3:** Max. Allowable pressure 12kgf/cm²;
Ambient Temp. 0°C~65°C (F CLASS) , 0°C~80°C (H CLASS)
- 4:** Flow as the arrow, mounts in any position;
Best position is Solenoid vertical and upright direction.
- 5:** Voltage: 220VAC/230VAC/240VAC/110VAC/24VAC 50/60HZ
24VDC/12V; Voltage Tolerance: +10% to -10% applicable voltage
- 6:** Coil can fix Germany NASS Coil, for the orifice is 3mm only,
Standard voltage: 220VAC 50/60HZ 24VDC
- 7:** This series valves are offered VITON for Seals



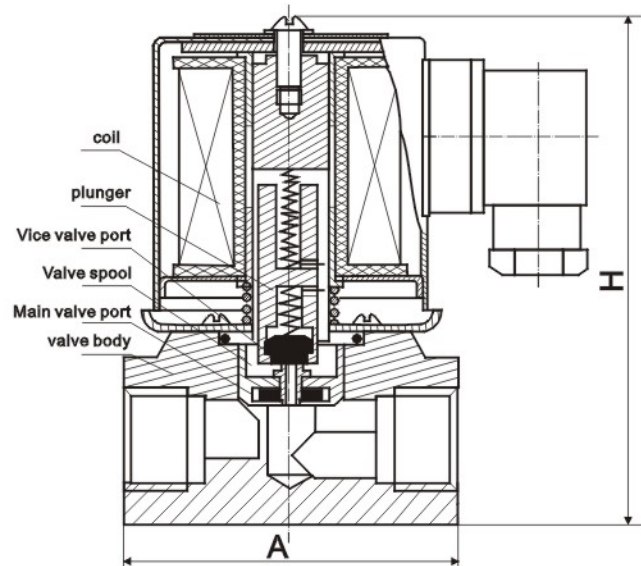
Normally Closed De-energized
Closed



Energized
Open



Construction, External Dimensions Chart



Sanlixin Solenoid Valve

ZCT 2/2-Way Series Solenoid Valve • Normally Closed

● The Professional Solenoid Valves Manufactory

Valve Selection List

Pipe Conn- ection	Orifice mm	CV Factor	Operating pressure differential (kgf/cm ²)								Max. Fluids Temp.	Coil Type	Power consumption		Coil Class	External Dimensions Length xWidth x Height A x B x H	Weight KG	Model Code Follows Voltage are 220VAC 50/60HZ	
			Min.	Max.									VA AC 220 V	W DC 24 V					
				Air Gas		Water Hot water Liquids		Light oil		Steam AC/ DC									
				AC	DC	AC	DC	AC	DC										
1/8"	3	0.23	0	13	10	13	10	10	7	3	130	D	22	13	F	30×30×82	0.36	ZCT1DF02V5A03	
1/4"	3	0.23	0	13	10	13	10	10	7	3	130	D	22	13	F	35×35×82	0.36	ZCT1DF02V5B03	
	4	0.6	0	7	7	7	7	5	5	3	130	D	22	13	F	50×30×82	0.8	ZCT1DF02V5B04	
3/8"	4	0.6	0	7	7	7	7	5	5	3	130	D	22	13	F	50×30×82	0.8	ZCT1DF02V5C04	
	6	0.9	0	6	6	6	6	6	6	5	155	A	19.8	12.5	H	50×30×82	0.7	ZCT1AH02V5C06	
1/2"	6	0.9	0	6	6	6	6	6	6	5	155	A	19.8	12.5	H	50×30×82	0.7	ZCT1AH02V5D06	
	10	1.5	0.1	10	10	10	10	7	7	5	155	A	19.8	22	H	70×38×110	1.2	ZCT1AH02V5D10	
	10	1.5	0	2.5	1.5	2.5	1.5	2	1		130	D	19.8	22	F	70×38×110	1.2	ZCT1DF02V5D10	
3/4"	15	4.5	0.1	10	10	10	10	7	7	5	155	A	19.8	22	H	80×40×115	1.3	ZCT1AH02V5E15	
	15	4.5	0	1.5	1	1.5	1	1	1		130	D	19.8	22	F	80×40×115	1.3	ZCT1DF02V5E15	
1"	15	4.5	0.1	10	10	10	10	7	7	5	155	A	19.8	22	H	80×40×115	1.2	ZCT1AH02V5G15	
	15	4.5	0	1.5	1	1.5	1	1	1		130	D	19.8	22	F	80×40×115	1.2	ZCT1DF02V5G15	

ZCT Series • 2/2-Way Plexiglas Solenoid Valve • Normally Closed

Valve Selection List

Pipe Conn- ection	Orifice mm	CV Factor	Operating pressure differential (kgf/cm ²)								Max. Fluids Temp.	Coil Type	Power consumption		Coil Class	External Dimensions Length xWidth x Height Lx W x H	Weight KG	Model Code Follows Voltage are 220VAC 50/60HZ	
			Min.	Max.									VA AC 220 V	W DC 24 V					
				Air Gas		Water Hot water Liquids		Light oil		Steam AC/ DC									
				AC	DC	AC	DC	AC	DC										
1/8"	3	0.23	0	10	10	10	10	10	10	80	D	22	13	F	30×30×82	0.25	ZCT1DF02V9A03		
1/4"	3	0.23	0	10	10	10	10	10	10	80	D	22	13	F	35×35×82	0.25	ZCT1DF02V9B03		
1/4"	6	0.6	0	6	6	6	6	6	6	80	D	33	32	F	50×30×82	0.4	ZCT1DF02V9B06		
3/8"	6	0.6	0	6	6	6	6	6	6	80	D	33	32	F	50×30×82	0.4	ZCT1DF02V9C06		
1/2"	10	1.5	0.1	10	10	10	10	10	10	80	D	19.8	22	F	80×40×98	0.55	ZCT1DF02V9D10		
3/4"	15	4.5	0.1	10	10	10	10	10	10	80	D	19.8	22	F	80×40×98	0.55	ZCT1DF02V9E15		